

# Pipe Laser KL-900/-901

OLED display  
Simple operation  
Highest accuracy  
Electronic level  
Robust design

## Hard in the taking, tough in the giving.

The latest generation of GEO pipe laying lasers emit an automatically horizontal or defined inclined laser beam as a reference axis. They were specially developed for pipe laying and can also be used for a wide range of tasks.

Special attention was paid to simple and intuitive operation on the construction site. The green laser beam, which is clearly visible even in sunlight, makes work easier, as does the high-contrast, easy-to-read graphic OLED display.

## Key performance features!

### Fully automatic

Automatic levelling, transverse tilt compensation, zero tilt adjustment, directional centring and switch-off in case of undervoltage or jerky movements.

### Robust metal housing

Anodised, plastic coated, nitrogen filled, 100% waterproof.

### Special laser beam quality in green

Visible diode laser with green beam, high usage expectancy and low power consumption. The human eye is up to four times more sensitive to the colour green than to red.

### Easy-read OLED display

The brightly illuminated display ensures very good readability even in difficult lighting conditions. The graphic displays, especially in the settings, are intuitive and easy to understand and simplify operation considerably.



### Easy to use keyboard

Clear, functional, large user-friendly keys.

### Electronic level

For easy and intuitive alignment of the laser in the tube.

### Li-Ion battery

Operating time up to 50/34 hours on one charge. Rechargeable in a maximum of 5 hours without removing the battery.

### Proven mounting feet

Guarantee a secure, force-centred stand in the tube.

### Infrared remote control

For directional adjustment, laser on/off and laser flicker mode.



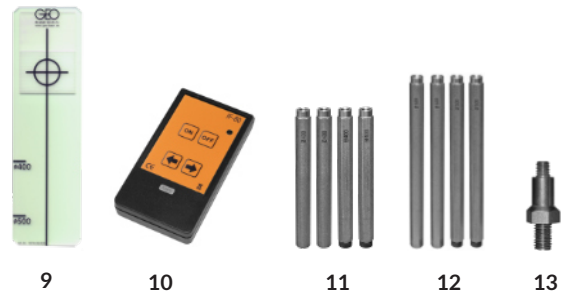
## Standard delivery package

No.	Order no.	Type	Description
01	0002.90x	KL-90x	Pipe Laser
02	0077.38		Transport case
03	0016.07	KL-04	Target frame
03	0016.08.002		Plexi target DN 150 - 300
04	0037.25	NE-81	Power supply/Battery charger
05	0077.36.002		Double headed wrench 10/13
06	0019.07S		Leg set DN 200 (2 x sliding leg/ 2 x fixing leg)
07	0019.08S		Leg set DN 250 (2 x sliding leg/ 2 x fixing leg)
08	0019.09 S		Leg set DN 300 (2 x sliding leg/ 2 x fixing leg)
1 - 8	0002.900.1		KL-900 with standard delivery package
1 - 8	0002.901.1		KL-901with standard delivery package

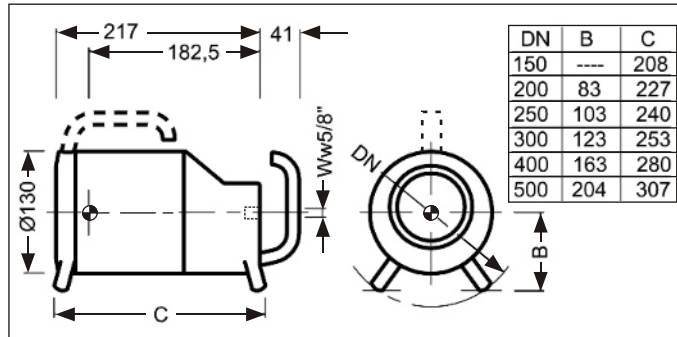


## Optional accessories

No.	Order no.	Type	Description
09	0016.08.003		Plexi target DN 400 - 500
10	0026.05	IF-80	IR remote control
11	0019.10S		Leg set DN 400 (2 x sliding leg/ 2 x fixing leg)
12	0019.11S		Leg set DN 500 (2 x sliding leg/ 2 x fixing leg)
13	0019.90		Leg adapter for mounting with 3 legs
9-13	0125.02.1S	KP-IR-GN	Comfort version for pipe laser



## Dimensional sketch



Designed, developed and  
made in Germany

## Technical specifications

KL-900 laser class: ..... 2, < 1 mW  
 KL-901 laser class: ..... 3R, < 5 mW  
 Laser: ..... diode laser, visible green, 520 nm  
 Beam diameter: ..... 13 mm at laser  
 Inclination range KL-900/KL-901: ..... to 200 m/to 500 m  
 Neigungsbereich: ..... - 10% to + 40%  
 Self-levelling range: ..... - 5% to + 40%  
 Reading precision: ..... 0,001%  
 Permissible deviation: ..... ± 5 mm/100 m  
 Direction setting range: ..... ± 5,000%  
 Banking compensation: ..... ± 4°  
 Operating time with lith. ion rech. battery: ..... KL-900/-901: up to 50/34 Stunden  
 External power supply: ..... 11 V DC to 14 V DC with cable 0117.02  
 Undervoltage cut-out: ..... yes  
 Watertight: ..... to 0.35 bar  
 Temperature range: ..... - 10° C to + 50° C  
 Dimensions/Weight: ..... Ø 130 mm, length 265 mm/3 kg  
 Range IR remote control: ..... to 150 m from front/to 18 m from behind  
 Guarantee: ..... 24 months