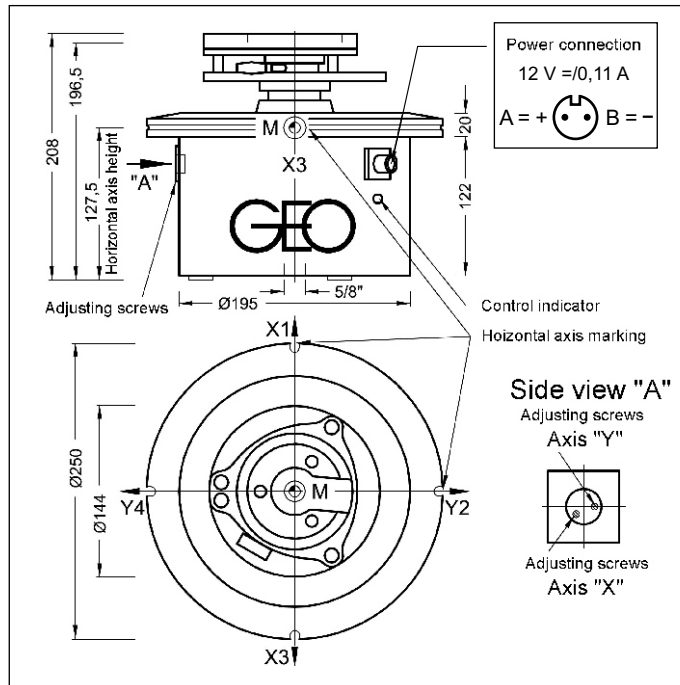


# Automatic Tripod AD-12





**Function**

The automatic tripod AD-12 is used for automatic levelling of laser and surveying instruments, especially total stations. It can naturally also be used for automatic levelling of other devices with weights up to 10 kg. The levelling range is +/- 12 gon. Levelling is continuous with an accuracy of 10 mgon. All components including the servomotors, adjustment units, inclinometers and measuring and control electronics are integrated into a dust and waterproof housing.

**Assembly**

The automatic tripod AD-12 is fastened to a stand or platform with a central retaining screw 5/8". Orientation of the horizontal axes is possible via notch markings. The theodolite or total station is placed in the tripod positively centred and locked in position.

**Power Supply**

Connect the AD-12 to a 12 V rechargeable battery (EB-12) or power pack (NE-12/2) with a connection cable.

**Control Indicator**

The operating statuses are indicated by an LED under the connection box.  
**Possibilities:**  
 blinking green light: faulty levelling  
 steady green light: in operation  
 steady amber light: inadequate power supply

**Adjustment**

The level can be set with the adjusting screws located behind a cover screw at the side of the AD-12.

**Maintenance**

The AD-12 requires no special maintenance. It should, however, be protected from strong dirt.

**Technical Specifications**

- Levelling range in 2 axes: . . . . . to +/- 12 gon
- Levelling range in 1 axis: . . . . . to +/- 18 gon
- Levelling accuracy: . . . . . +/- 10 mgon
- Positive centring: . . . . . Wild system
- Power supply: . . . . . 11 - 16 VDC/0.4 A
- Carrying capacity: . . . . . to 10 kg
- Weight: . . . . . 6.3 kg
- Guarantee: . . . . . 24 months

**GEO - partner of the construction industry for over 50 years**

From:



- Construction lasers
- Special applications
- Automatic tripod
- Measuring systems and lasers for tunneling and pipe jacking

**GEO-Laser GmbH**

Solinger Str. 8  
 45481 Muelheim an der Ruhr  
 Germany

Phone +49 208 99357-0  
 Fax +49 208 99357-25  
 info@geo-laser.de  
 www.geo-laser.de