

Automatic Precision Laser PL-74L



Automatic Precision Laser PL-74L

Precision in Perfection

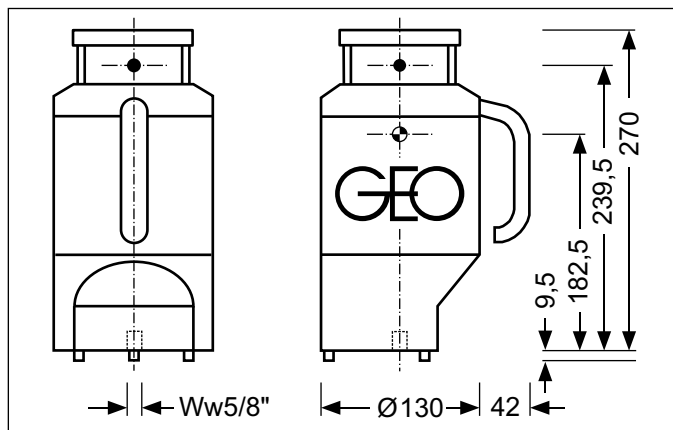
Functional description

The automatic precision laser PL-74L is an all-around laser for horizontal use capable of electronic self-levelling over two axes. It emits a laser beam, which turns into a light plane as it rotates.

Performance features

- **PL-74L**
Laser class 2, laser power < 1 mW.
No special safety precautions necessary.
The easy standard laser class.
- **Fully automatic**
Automatic levelling and cut-out in case of low battery or jerky movements.
- **Automatic function can be switched off**
Therefore inclination adjustment by points of reference is possible.
- **Illuminated, clearly legible LCD display**
Self-explanatory, for on/off, device data, company data, lock function, operating status, battery level and menu.
- **Increased safety**
Control indicators with blinking warning system for levelling, operating status and low battery.
- **Robust metal housing**
Plastic coated, swept and filled with nitrogen, 100 % watertight.
- **Special laser beam quality**
Diode laser with visible beam, high-powered lens, high life expectancy and low power consumption.
- **Lithium ion rechargeable battery**
Operation time to 28 hours with one charge.
Rechargeable in max. 5 hours without having to take out the battery.
- **Uncompromisingly easy**
All you have to do is switch on/off. The rest is done by the PL-74L automatically.
- **Checking and adjustment**
Easily possible at the building site as well. The device does not have to be opened for adjustment.
- **Examples of use**
Roll surveying and alignment, shelves construction, tank construction, construction of jigs and fixtures, escalator construction, turbine construction, rail construction, crane construction, wagon building, body-making, ship construction, aircraft construction, wind power station and building surveying.

Dimensional sketch



Technical specifications

Laser class: 2, < 1 mW
 Laser: diode laser, visible red, 635 nm
 Beam diameter: 5 mm at laser
 Range: from 0.5 m to 100 m, Ø 200 m
 depending on circumstances and laser receiver
 Self-levelling range: ± 5 %
 Accuracy: ± 0.025 mm + ± 0.024mm/m
 Rotor speed: adjustable in steps of 0 to 800 RPM
 Operating time with 7.4 V DC Li Ion recharge. battery: to 28 hours
 External power supply: 11 to 14 V DC with cable 0117.02
 Low battery cut-out: yes
 Watertight: to 3.5 m
 Temperature range: 0° C to + 40° C
 Weight: 3.4 kg
 Adjustment: . . possible in the field without having to open the device
 Guarantee: 24 months

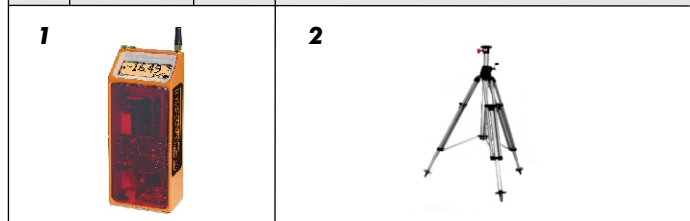
Standard Delivery Package

No.	Order No.	Type	Description
01	0001.775	PL-74L	Precision laser
02	0037.18	NE-80	Battery charger
03	0077.36		Transport case
1-3	0001.775.1	PL-74L	with standard delivery package



Optional Accessories

No.	Order No.	Type	Description
1	0009.38.1	LE-71	Laser receiver with digital data display
1	0009.39.1	LE-72	Laser receiver with digital data display
2	0059.06.1	ST-10	Alu. crank tripod, min. 0.55 m, max. 0.94 m
2	0059.01.1	ST-20	Alu. crank tripod, min. 0.93 m, max. 1.99 m
			Further optional accessories on request



GEO - partner of the construction industry for 50 years

from:



GEO-Feinmechanik GmbH

Laser for civil and underground engineering, interior works, machine control

Postfach 13 01 64
45445 Mülheim an der Ruhr

Solinger Str.8
45481 Mülheim an der Ruhr

Telephone +49 (0) 208-9 93 57-0
Facsimile +49 (0) 208-9 93 57-25

www.geo-laser.de
geo-team@geo-laser.de

Subject to change. Made in Germany.

Date: 04/2014